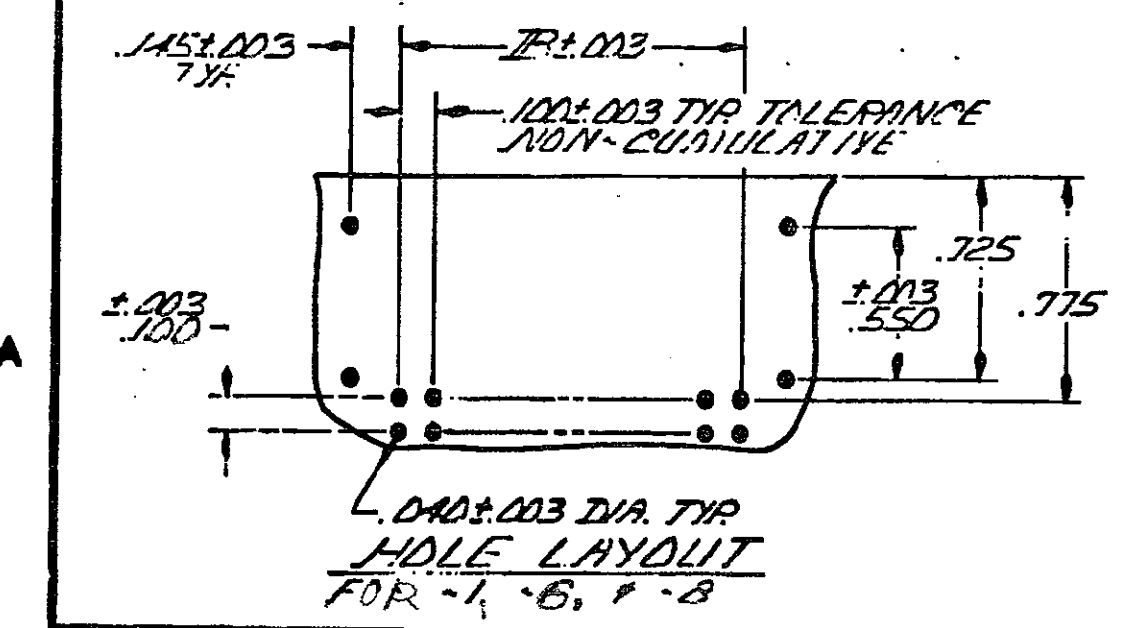
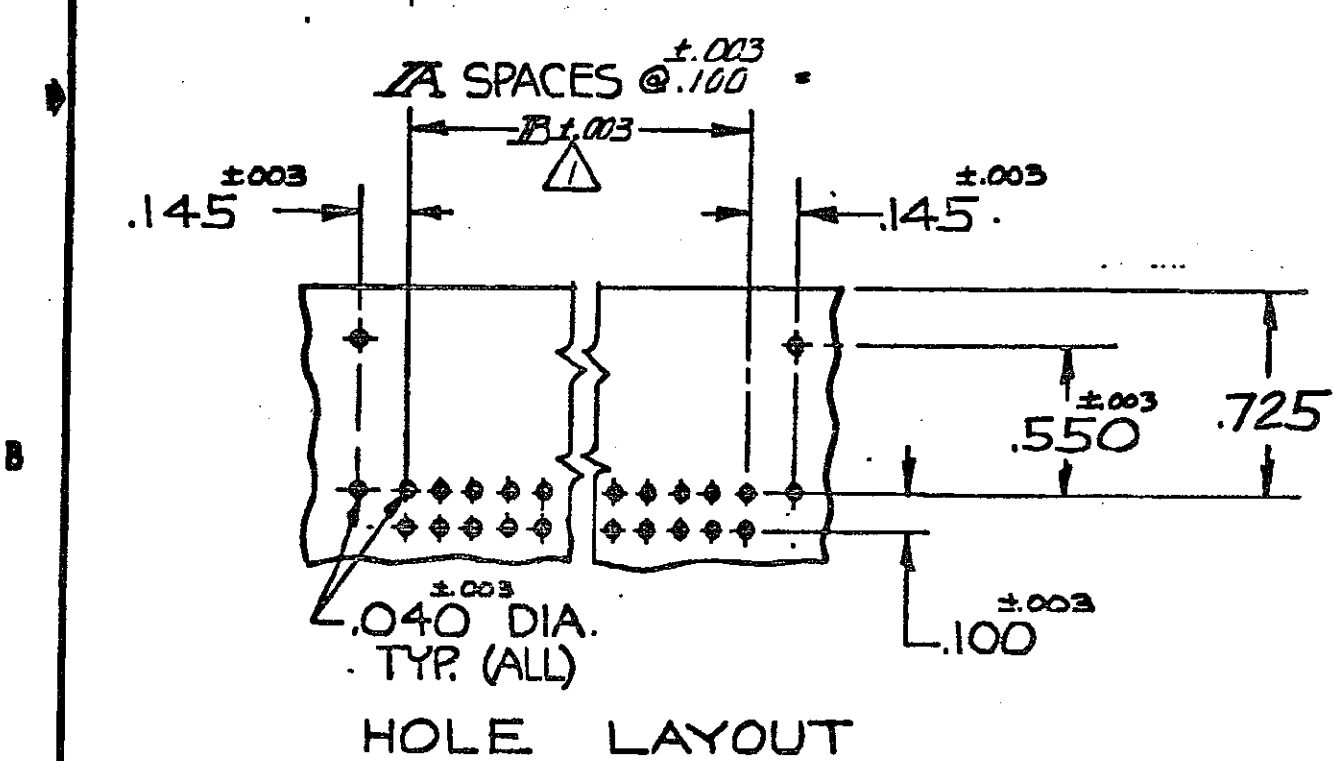
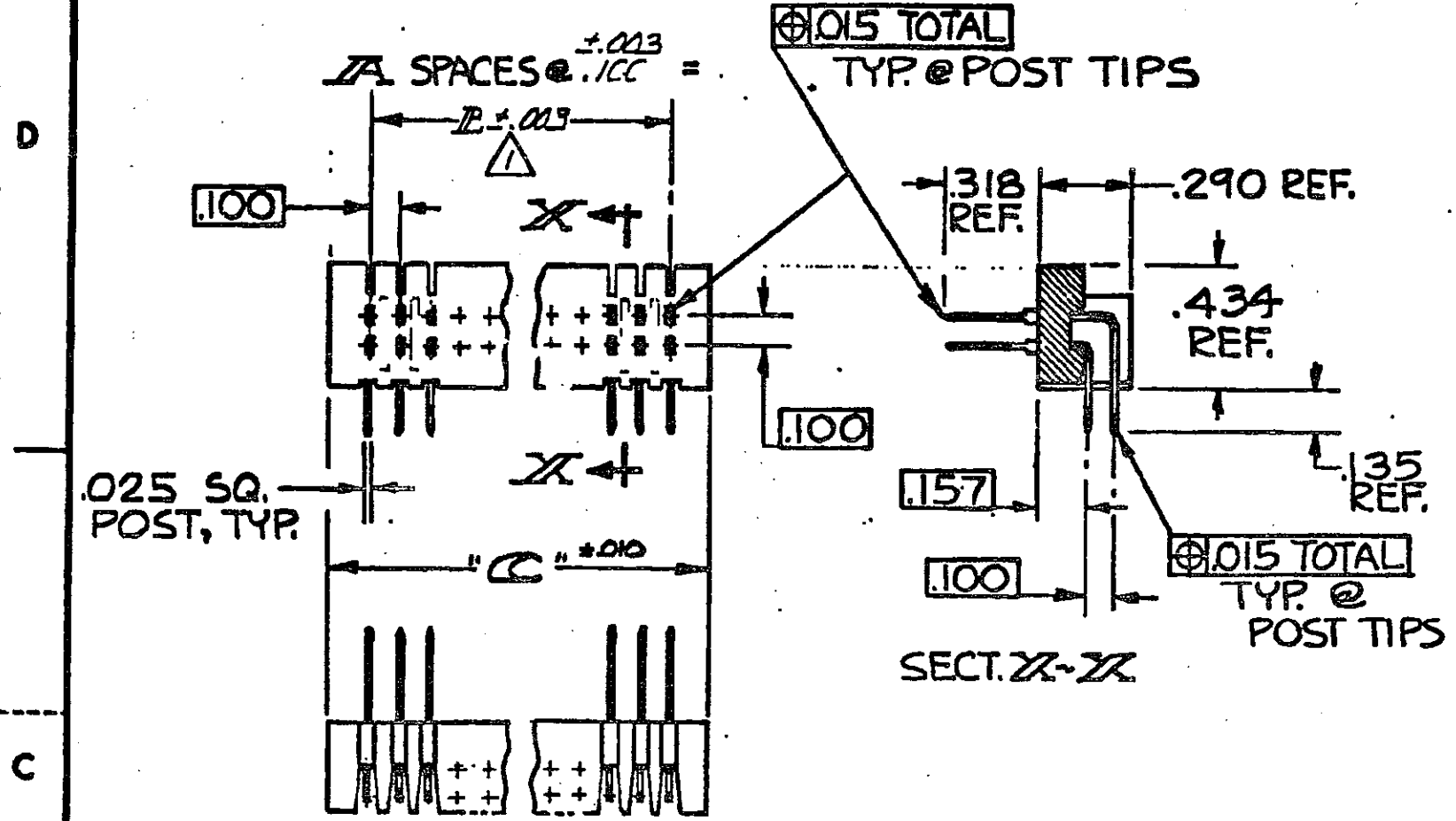


DRAWING MADE IN THIRD ANGLE PROJECTION

© COPYRIGHT 1981, 92 BY AMP INCORPORATED, HARRISBURG, PA. ALL INTERNATIONAL RIGHTS RESERVED. AMP INCORPORATED PRODUCTS COVERED BY U. S. AND FOREIGN PATENTS AND/OR PATENTS PENDING.

LOG AD 39

REVISIONS					
P	F	ZONE	LTR	DESCRIPTION	DATE APPROVED
✓			J	REDRAWN PER 0010-0226-96	3-96 EBY/jh
✓			K	REV PER 0310-0389-97	12-97 EB/WO



USED WITH PART NUMBER	C DIM	B DIM	A SPACES	NUMBER OF POSITIONS	PART NUMBER
OBSOLETE 102791-7	1.830	1.600	16	34	1-102792-1
OBSOLETE 102791-5	3.120	2.900	29	61	1-102792-0
102791-1	1.430	1.200	12	26	-9
102791-2	.530	.300	3	8	-8
102791-3	.920	.700	7	16	102792-7
102791-1	.930	.200	2	6	102792-6
1-102791-0	1.130	.900	9	20	102792-5
102791-8	2.630	2.400	24	50	102792-4
OBSOLETE 102791-6	2.130	1.900	19	40	102792-3
102791-4	1.030	.800	8	18	102792-2
102791-2	.630	.400	4	10	102792-1

UNLESS OTHERWISE SPECIFIED DIMENSIONS ARE IN INCHES. TOLERANCES ON: DECIMALS $\pm .005$ ANGLES \pm	CONTRACT NO	AMP AMP INCORPORATED Harrisburg, Pa.
	DR C.A. Brakley 3-25-88	
MATERIAL 156-FLAME RETARDANT THERMOPLASTIC COLOR-BLACK. POSTS-COPPER ALLOY	CHKD L.J. Harrington 3-26-96	NAME ASSEMBLY, HEADER, AMP MODU, DOUBLE ROW .100 ϕ RIGHT ANGLE
	APPD L.J. Harrington 3-26-96	
FINISH POSTS: 99950 GOLD IN CONTACT AREA, GOLD FLASH ON REMAINDER OF POST. 99950 NICKEL UNDERPLATE	DSGN APPD	SIZE CODE IDENT NO DRAWING NO
	OTHER APPD	C 00779 102792
	SCALE 2-1	SHEET 1 OF 1

AMP 1471-G REV 12-78

CUSTOMER DRAWING